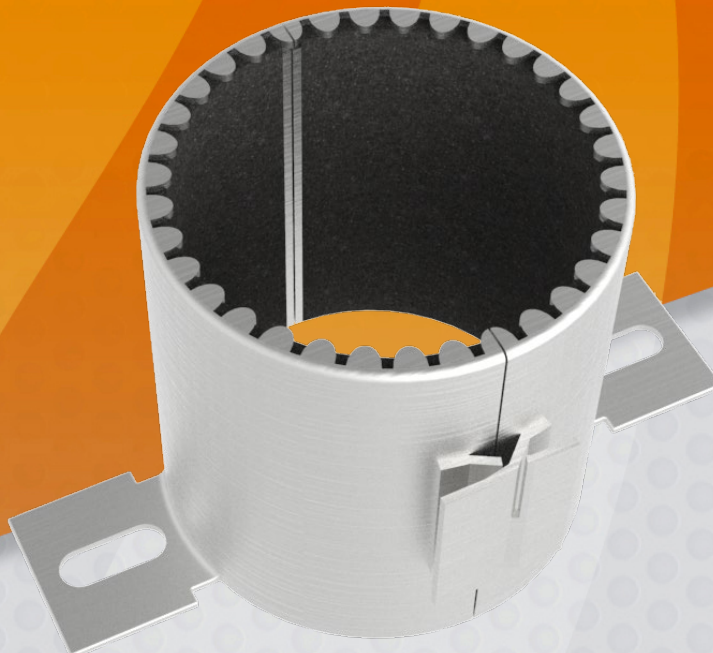




# FYRECHOKE

Conduit Micro Fire Collars



Trafalgar **Fyre** fire stopping range includes:

Sealant | Pillows | Mortar | FR Batts

FR Collars | FR Access Panels | Pipe Wraps

FyreWrap Duct Wrap | FR Downlight Covers

Intumescent Dampers | Fire Door Hardware

Fire Rated Board and Systems | Cable Coating

for multiple and mixed services

Fight Fire With **Fyre**

[tfire.com.au](http://tfire.com.au)

30072019

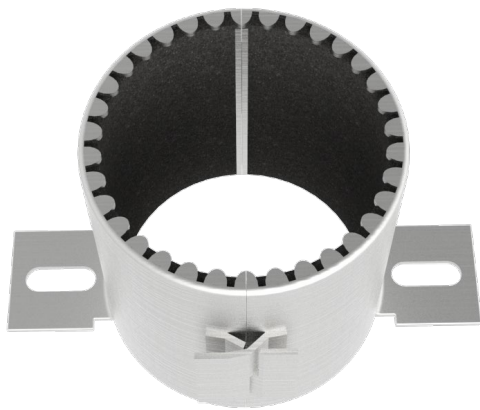
# FYRECHOKE

Conduit Micro Fire Collars

## Product Overview

**Fyrechoke Conduit Micro Fire Collars** are a compact sized retrofit product, designed to provide maximum protection against the spread of fire and smoke through walls and floors where they are penetrated by plastic conduits.

FyreChoke Conduit Micro Fire Collars are simple to install, using an integrated 'slide lock joint' mechanism, the two halves of the collar simply fit around the pipe and slide together. The collar is then fastened to the wall or floor using integrated fixing lugs at the base of the collar.



Trafalgar's FyreChoke fire collar range has been **extensively tested and approved in accordance with AS1530.4 and AS4072.1** in accordance with the National Construction Code. They have been installed on building sites throughout Australia and the world.

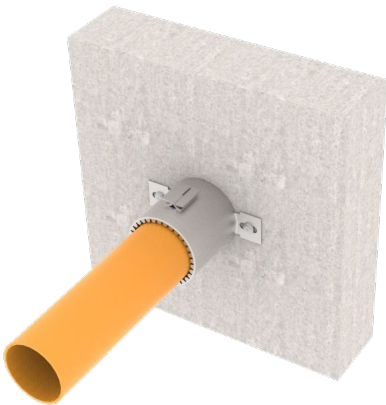
Thanks to the **innovative two piece 'slide lock joint' mechanism**, FyreChoke two piece collars are ideal for use in tight, difficult to reach locations. Their stainless steel casing is supplied standard and is ideal for use in aggressive environments.

To maintain market leadership, Trafalgar stay up to date with the latest technologies and trends in passive fire protection and contemporary construction techniques. **We are 70 years strong and still innovating!**

# FYRECHOKE

Conduit Micro Fire Collars

## Product Overview



### APPLICATION:

Trafalgar FyreChoke Conduit Micro Fire Collars are designed and tested for use in wall and floor applications. They are fixed using screws or masonry anchors depending on the fire barrier type.

### SUITABLE FOR:

FyreChoke Conduit Micro Fire Collars are suitable for all types of rigid plastic conduits including electrical, data and NBN Fibre cable services.



### SPECIFICATION:

All plastic pipe penetrations are to be sealed, to maintain the fire rating of the element (wall or floor) in accordance with AS1530.4 & AS4072.1 using Trafalgar FyreChoke Conduit Micro Fire Collars as detailed in Trafalgar's published installation instructions.

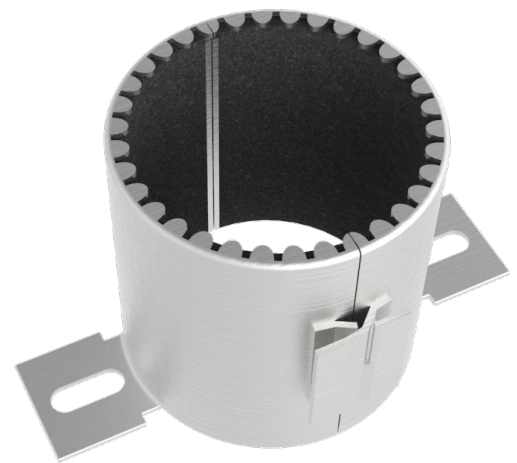
# FYRECHOKE

Conduit Micro Fire Collars

# Technical Specifications

## PRODUCT DESCRIPTION

<b>Fire Rating</b>	Up to -/120/120 (service / barrier dependent, for 3 hour fire protection contact Trafalgar)
<b>Colour and Appearance</b>	Stainless steel casing.
<b>Durability</b>	Made from a highly durable and corrosion resistant stainless steel for maximum quality and durability.
<b>Collar Height</b>	50mm
<b>Maintenance</b>	None Required.
<b>Installation</b>	The two halves of the collar slide together, securing the collar around the conduit. Use 8g screw fixings for plasterboard or M6 masonry anchors for concrete, to fix through the two fixing tabs and fix the collar to the wall or floor. All annular gaps are to be filled with FyreFlex Sealant.
<b>Testing</b>	FyreChoke Conduit Micro Fire Collars are tested and approved in accordance with AS1530.4 and AS4072.1 and is fully compliant with the National Construction Code.
<b>Also Available</b>	Trafalgar also supply one piece retro fit fire collars and a full range of fire stopping products.



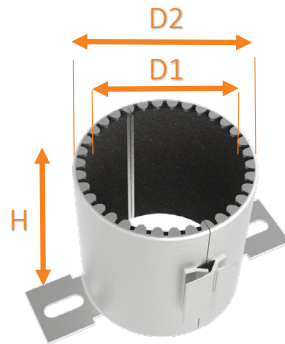
# FYRECHOKE

Conduit Micro Fire Collars

# Ordering Information

## FYRECHOKE CONDUIT MICRO FIRE COLLARS

Product Code	Collar Size (mm)	Nominal Conduit Size (mm)	D1	D2	H1
FR Collar - 25	25	25	27	35	50
FR Collar - 32	32	32	40	50	50
FR Collar - 40	40	40	45	55	50



### FYRECHOKE COLLAR FAQ:

1. Can I use Fyrechoke collars on copper pipes? **Conduit collars are not suitable for copper pipes. Contact Trafalgar for more details and product recommendations for use on copper pipes.**
2. Can the collars be fitted around a conduit that's already been installed? **Yes, the collars are easily retrofit-able.**
3. Do I need to use sealant around the services? **Yes, all annular gaps are to be filled with FyreFlex Sealant.**



Trafalgar has developed a range of **installation videos** to assist our customers. To view these step by step install videos please go to [www.youtube.com](http://www.youtube.com) and search for **Trafalgar TV**. Subscribe and you will be notified when new videos are uploaded.

Trafalgar reserves the right to change specifications without notice. Please check with your supplier at the time of order. The information contained in this brochure was correct at the time of print. E&OE. Published 01.04.16.